

TRAILER-MOUNTED Z-BOOMS | TZ-34/20

REACH UP, REACH OUT

The Genie® TZ™-34/20 has an industry-leading working envelope and intuitive controls that allow operators to efficiently reach where they need to be. With a working height of up to 40 ft (12.36 m), an outreach of 18 ft 4 in (5.59 m) and 16 ft 1 in (4.90 m) of “up and over” capability, the TZ™-34/20 provides excellent versatility for a variety of jobs.



EASY-TO-USE CONTROLS

Both ground and platform controls feature an easy-to-use pictograph system making it quick and easy to get right to work.

EASY TRANSPORT AND SETUP

With a variety of hitch coupler options, the TZ™-34/20 is easily towed behind a pickup or SUV. Hydraulic outriggers with automatic self-leveling allow machine setup in as little as 40 seconds, so you spend less time setting up and more time working.



Though rugged and heavy-duty, the TZ™-34/20 is lightweight enough to use on lawns, slate or gymnasium floors. Simply put, it meets the challenges of just about any working environment.



DESIGNED FOR SERVICEABILITY

Easy setup and operation aren't the only efficient benefits of the TZ™-34/20. The machine is built to make service simple, including easy access to batteries. Simply release the clamp and remove the cover.

BUILT TO WORK

Durability is built in. The rigid chassis has a heavy-duty base and robust outriggers, making it the best solution for large and small contractors, maintenance crews, painting contractors and rental yards.



Specifications

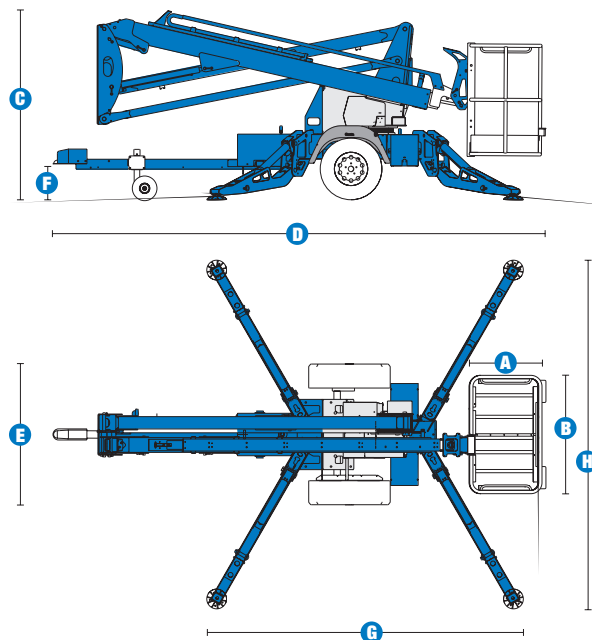
MODEL		TZ™-34/20	
MEASUREMENTS	US	Metric	
Working height*	40 ft	12.36 m	
Platform height	34 ft	10.36 m	
Entry height - extended	6.4 in	.16 m	
Horizontal reach	18 ft 4 in	5.59 m	
Clear out reach	13 ft 5 in	4.09 m	
Up and over clearance	16 ft 1 in	4.90 m	
A Platform length	2 ft 2.8 in	.68 m	
B Platform width	3 ft 8 in	1.12 m	
C Height - stowed	6 ft 4.5 in	1.94 m	
D Length - stowed	18 ft .5 in	5.50 m	
E Width - stowed	4 ft 9.1 in	1.45 m	
F Ground clearance	9.5 in	.24 m	
G Length - outrigger footprint	10 ft 8.4 in	3.26 m	
H Width - outrigger footprint	11 ft 9.4 in	3.59 m	

PRODUCTIVITY		
Lift capacity (ANSI, CSA) - standard	500 lbs	227 kg
Lift capacity (ANSI, CSA) - rotating platform	460 lbs	209 kg
Lift capacity (CE/AUS) - standard	440 lbs	200 kg
Lift capacity (CE/AUS) - rotating platform	400 lbs	181 kg
Self leveling platform	standard	
Platform rotation option	90° mechanical	
AC power to platform	standard	
Turntable rotation	359° non-continuous	
Outrigger leveling capability	11°	
Towing speed rate	60 mph	97 km/h
Tongue weight - ANSI, CSA	315 lbs	143 kg
Tongue weight - CE	163 lbs	74 kg
Surge and parking brakes	standard	
Controls	variable speed system	
Tire size	ST 205/75 R15	
Coupler	2 in (5.08 cm) hitch coupler standard	

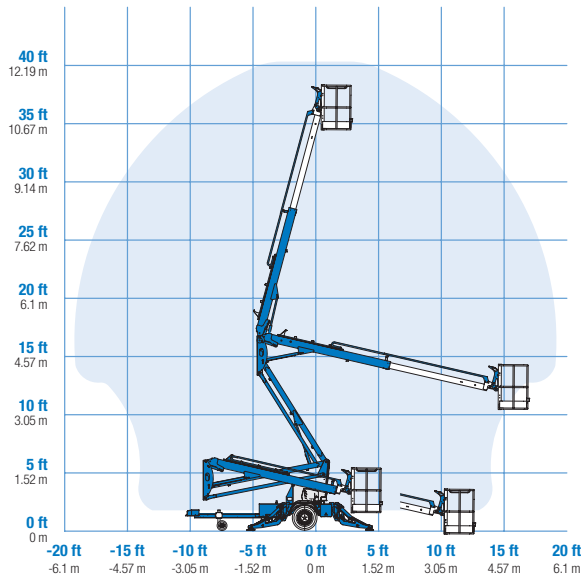
POWER		
Power source	24V DC (four 6V 225Ah batteries)	
Hydraulic tank capacity	3.85 gal	14.57 L
Hydraulic system capacity	4.5 gal	17 L

WEIGHT**		
ANSI, CSA, Australia	3,155 lbs	1,431 kg
CE	3,170 lbs	1,438 kg

STANDARDS COMPLIANCE ANSI A92.2, CSA C225, CE Compliance, AS 1418.10



RANGE OF MOTION TZ™-34/20



* The metric equivalent of working height adds 2 m to platform height. U.S. adds 6 ft to platform height.
 ** Weight will vary depending on options and/or country standards.

Features

EASILY CONFIGURED TO MEET YOUR NEEDS

PLATFORM OPTIONS

- Aluminum 26.8 x 44 in (.68 x 1.12 m)
- Platform overload system (CE)
- 90° mechanical platform rotation

POWER

- 24V DC power source

COUPLER OPTIONS

Combination hitch

- 2 in (5.08 cm) ball coupler
- 2.31 in (5.87 cm) ball coupler
- 2.5 in (6.53 cm) I.D. pintle ring coupler
- Clevis coupler

TIRE OPTIONS

- ST 205/75 R15 tires (ANSI, CSA)
- 185 R14C tires (CE)

STANDARD FEATURES

MEASUREMENTS

- 40 ft (12.36 m) working height
- 18 ft 4 in (5.59 m) horizontal reach
- Up to 500 lb (227 kg) lift capacity

PRODUCTIVITY

- Industry leading working envelope
- Extension boom
- Self-leveling platform
- Variable speed control system
- AC wiring to platform
- Hydraulic outriggers
- Automatic 11° leveling system
- Outrigger interlocks
- Mechanical parking brake
- Hydraulic surge brakes
- Auxiliary pump down
- 2 in (5.08 cm) coupler lever lock
- Hitch pull bar
- Combination hitch with coupler lever lock
- Dual jockey wheels
- 359° non-continuous turntable rotation
- Easy to access batteries
- Hour meter
- Tilt alarm / sensor
- Forklift pockets
- Illuminated outrigger indicators

POWER

- 24V DC power source (four 6V 225 Ah batteries)



OPTIONS & ACCESSORIES

PRODUCTIVITY

- Platform overload system (CE)
- 90° mechanical platform rotation
- 2 in (5.08 cm) ball coupler
- 2.31 in (5.87 cm) ball coupler
- 2.5 in (6.53 cm) I.D. pintle ring coupler
- Combination hitch
- Clevis coupler
- Wheel chocks
- Fluorescent tube caddy
- Full size spare tire
- Operational warning beacon package
- Non-marking outrigger footpads
- Battery charge indicator (BCI)
- Tool tray
- Bicycle guard (CE)

Working At Height Limited

(Southern Office)
Amberley Court
Old Elstead Road
Milford
Surrey
GU8 5EB

Tel: 01483 415 410
Fax: 01483 417 719

Working At Height Limited

(Northern Office)
The Portergate
Ecclesall Road
Sheffield
South Yorkshire
S11 8NX

Tel: 0114 209 6206
Fax: 0114 209 6001

Suppliers of:

Powered Access Platforms
Aerial Work Platforms
Runabout Access Platforms
Scissor Lifts
Articulating Boom Access Platforms
Telescopic Boom Access Platforms
Material Lifts
Telehandlers
MEWPS Training